



CLINTON ENGINES CORPORATION

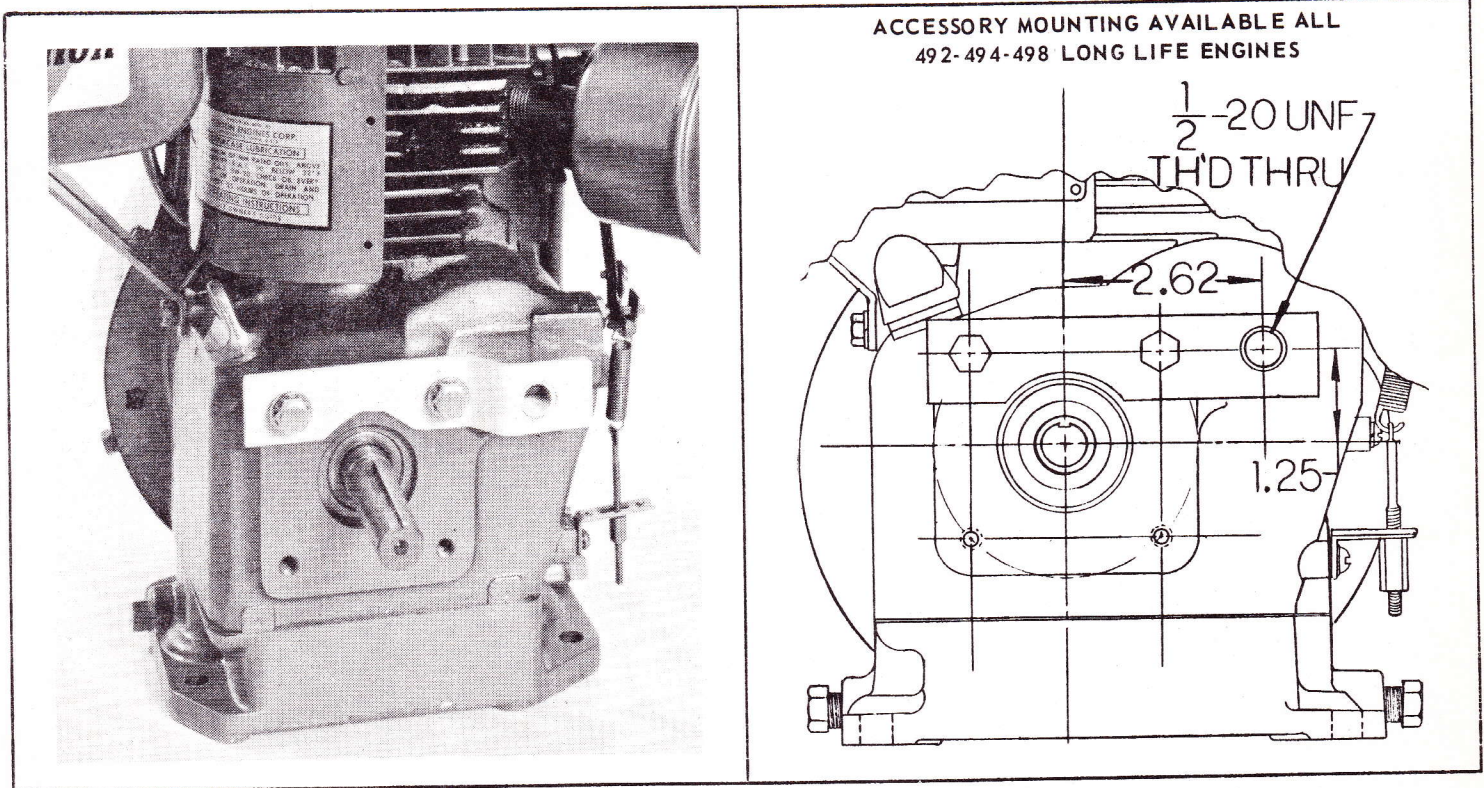
Maquoketa, Iowa

ACCESSORY BULLETIN NO. 106

TO: ALL CLINTON CENTRAL WAREHOUSE DISTRIBUTORS
SERVICE DISTRIBUTORS
SERVICE DEALERS

SUBJECT: IDLER MOUNTING KIT

Now your basic Model 492, 494 and 498 Clinton engine becomes a more versatile replacement than ever before. Simply attach the mounting kit as shown in the diagram below. Yes, it takes approximately 1-1/2 minutes and you have an engine that is tailor made for literally thousands more applications. In fact, any equipment that uses an idler, forward-reverse and neutral clutch.



Idler Mounting Kit
Part No. P26-789-500

Note: Parts Discounts Apply

Stock No. 21664

Model 498-0301-346 Engine complete with kit.

ORDER YOUR NEEDS TODAY